

## Contents

Important User Information . . . . .	2	Step Components . . . . .	7
General . . . . .	2	Chassis Components . . . . .	8
Manufacturer . . . . .	2	Backrail Components . . . . .	9
Intended Use . . . . .	2	Before Assembly . . . . .	10
Warranty . . . . .	2	Assembly . . . . .	11
Safety Precautions . . . . .	3	Safety Check . . . . .	25
Unpacking . . . . .	4	Moving and Storage . . . . .	26
Required Tools . . . . .	5	Connecting Riser Units . . . . .	27
Parts List . . . . .	5	Reversed Riser Assembly . . . . .	28
Hardware Pack - Casters . . . . .	5		
Hardware Pack - Plastic Parts . . . . .	5		
Hardware Pack - Fasteners . . . . .	6		



Visit the Signature Choral Risers web page at [www.wengercorp.com](http://www.wengercorp.com) for detailed instructions and videos.

**Note:** Please read and understand these instructions before assembling or setting up.  
**Note:** If you need additional information, contact Wenger Corporation using the information below.

# ***Important User Information***

---

## ***General***

Copyright © 2018 by Wenger Corporation

All rights reserved. No part of the contents of this manual may be reproduced, copied, or transmitted in any form or by any means including graphic, electronic, or mechanical methods or photocopying, recording, or information storage and retrieval systems without the written permission of the publisher, unless it is for the purchaser's personal use.

Printed and bound in the United States of America.

The information in this manual is subject to change without notice and does not represent a commitment on the part of Wenger Corporation. Wenger Corporation does not assume any responsibility for any errors that may appear in this manual.

In no event will Wenger Corporation be liable for technical or editorial omissions made herein, nor for direct, indirect, special, incidental, or consequential damages resulting from the use or defect of this manual.

The information in this document is not intended to cover all possible conditions and situations that might occur. The end user must exercise caution and common sense when assembling or installing Wenger Corporation products. If any questions or problems arise, call Wenger Corporation at 1-800-887-7145.

## ***Manufacturer***

The Signature® Choral Riser 3-Step Model is manufactured by:

Wenger Corporation  
555 Park Drive  
Owatonna, MN 55060  
(800) 4WENGER (493-6437) • +1 (507) 455-4100  
[www.wengercorp.com](http://www.wengercorp.com)

## ***Intended Use***

- This product is designed to be an elevation step for vocal groups.
- This product is intended for indoor use in normal ambient temperature and humidity conditions — it must not be exposed to prolonged outside weather conditions.
- This product is intended to be assembled only as described in these instructions.

## ***Warranty***

This product is guaranteed free of defects in materials and workmanship for fifteen full years from date of shipment. A full warranty statement is available upon request.

# Safety Precautions

---

Throughout this manual you may find cautions and warnings which are defined as follows:

- **WARNING** means that failure to follow the instruction may result in serious injury or death.
- **CAUTION** means that failure to follow the instruction may result in serious injury or damage to property.

Read all of these safety instructions before assembling or using the Signature Choral Riser.

<b>⚠ CAUTION</b>	<b>⚠ CAUTION</b>	<b>⚠ CAUTION</b>
<i>Make sure anyone assembling or setting up the Signature Choral Riser has read and understands these instructions.</i>	<i>Failure to comply with Warnings and Cautions in this document can result in damage to property or serious injury.</i>	<i>To avoid damage and injury, more than one person is needed for assembly.</i>

## Required Tools

---

- Drill or Impact Driver with 1/2" and 9/16" Deep Well Sockets
- 1/2" and 9/16" Wrenches

## ***Unpacking***

---

 **CAUTION**

*To avoid damage and injury,  
more than one person is  
recommended for assembly.*

 **CAUTION**

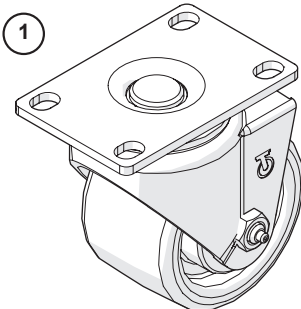
*Set up and use the Riser only  
on flat, solid surfaces.*

1. Read and understand the complete assembly procedure before beginning.  
It is recommended to unpack and sort the items according to the order of assembly.
2. Remove all parts from the shipping cartons.  
Each Riser is shipped in two cartons:
  - one shorter carton containing the chassis.
  - one longer carton containing the back rail and steps.
3. Sort all accessories by order of assembly.  
Use carpeting, a rug, or the cardboard carton to soften a hard floor and prevent scratching Riser surfaces.
4. Risers should be assembled indoors, in a well-lighted space with a level floor.  
Choose an area close to the performance space.  
Make sure Risers will fit through doors between the assembly area and the performance space.

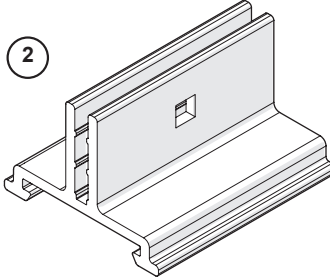
# Parts List

---

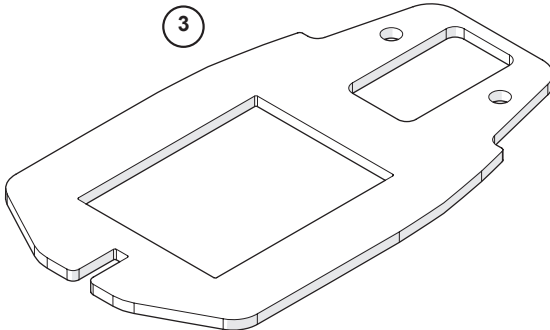
## Hardware Pack - Casters



**Swivel Caster**

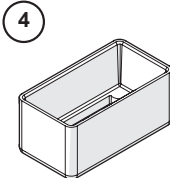


**Caster Mount**

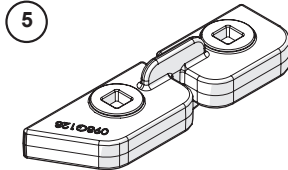


**Rear Fender Plate**

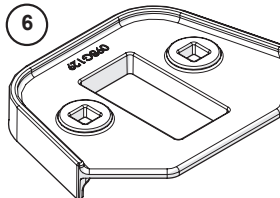
## Hardware Pack - Plastic Parts



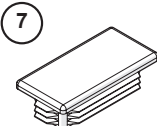
**1" x 2" Cap**



**Front Bumper**



**Rear Bumper**

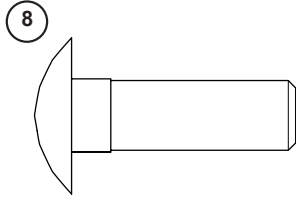


**1" x 2" Plug**

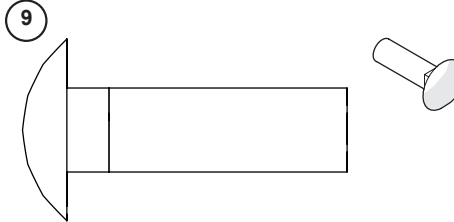
## Parts List (continued)

---

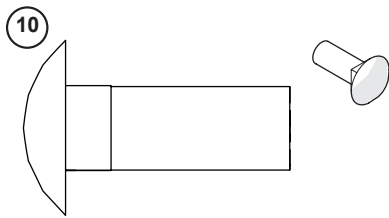
### Hardware Pack - Fasteners



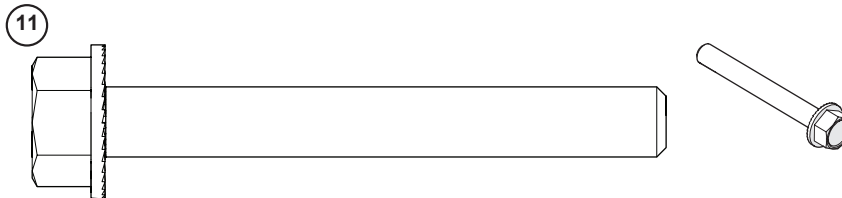
5/16-18 x 1"  
Carriage Bolt



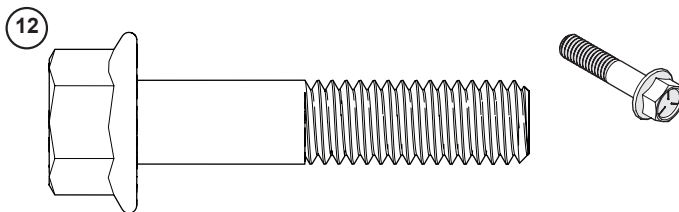
3/8-16 x 1-1/4"  
Carriage Bolt



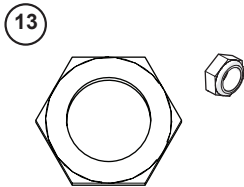
3/8-16 x 1"  
Carriage Bolt



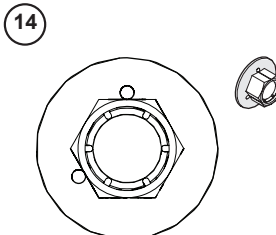
5/16-18 x 2-1/2"  
Flange Bolt



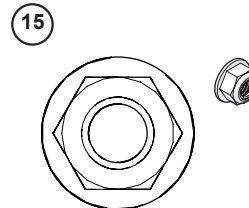
3/8-16 x 1-3/4"  
Flange Bolt



3/8-16  
Jam Lock Nut



3/8-16  
Flange Lock Nut

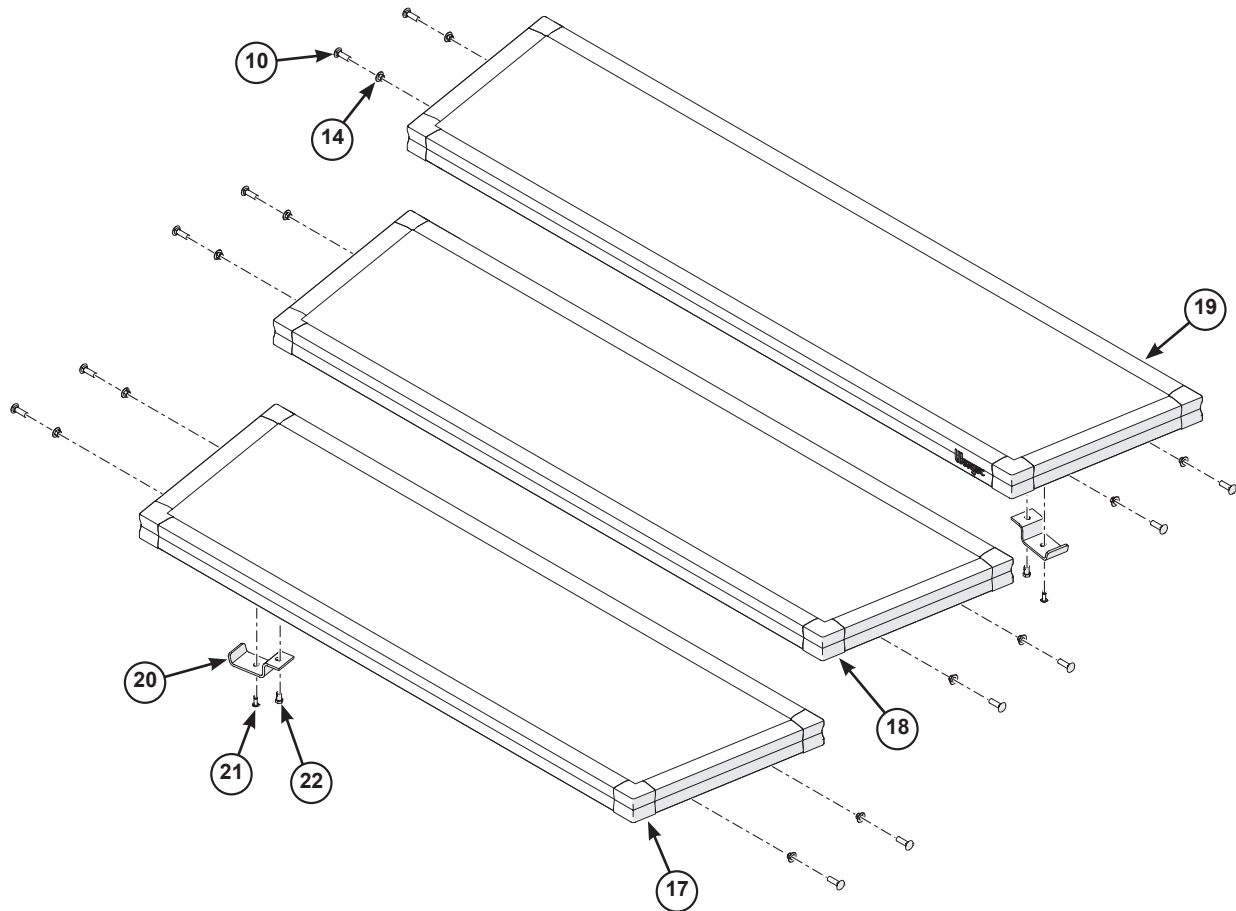


5/16-18  
Flange Lock Nut

# Parts List (continued)

---

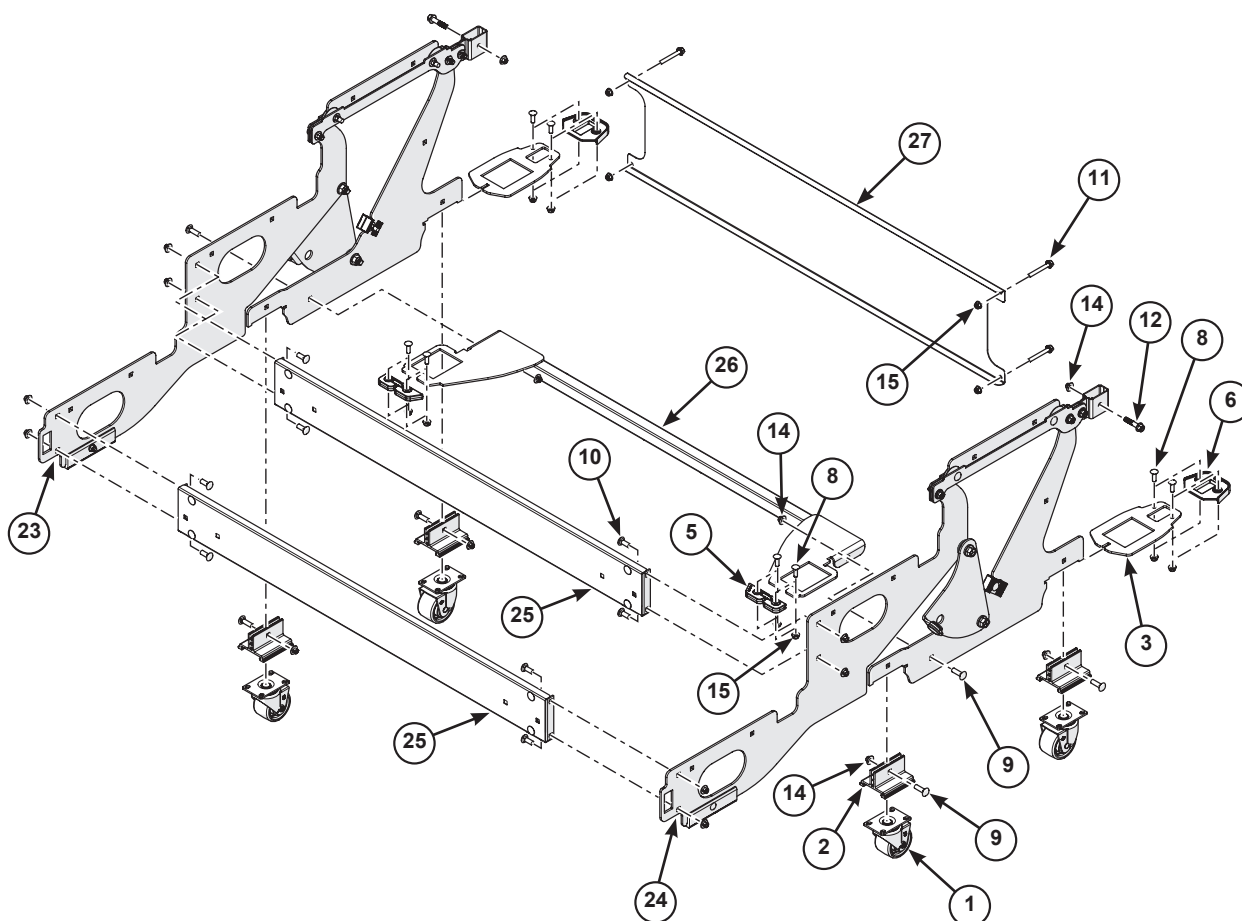
## Step Components



Item	Description	Item	Description
17	1st Step	10*	3/8-16 x 1" Carriage Bolt
18	2nd Step	14*	3/8-16 Flange Lock Nut
19	3rd Step		<i>*Included in Hardware Packs</i>
20	Unit Connector Bracket		
21	1/4" Dia. Blind Rivet		
22	5/16-18 x 5/8" Capscrew		

# Parts List (continued)

## Chassis Components

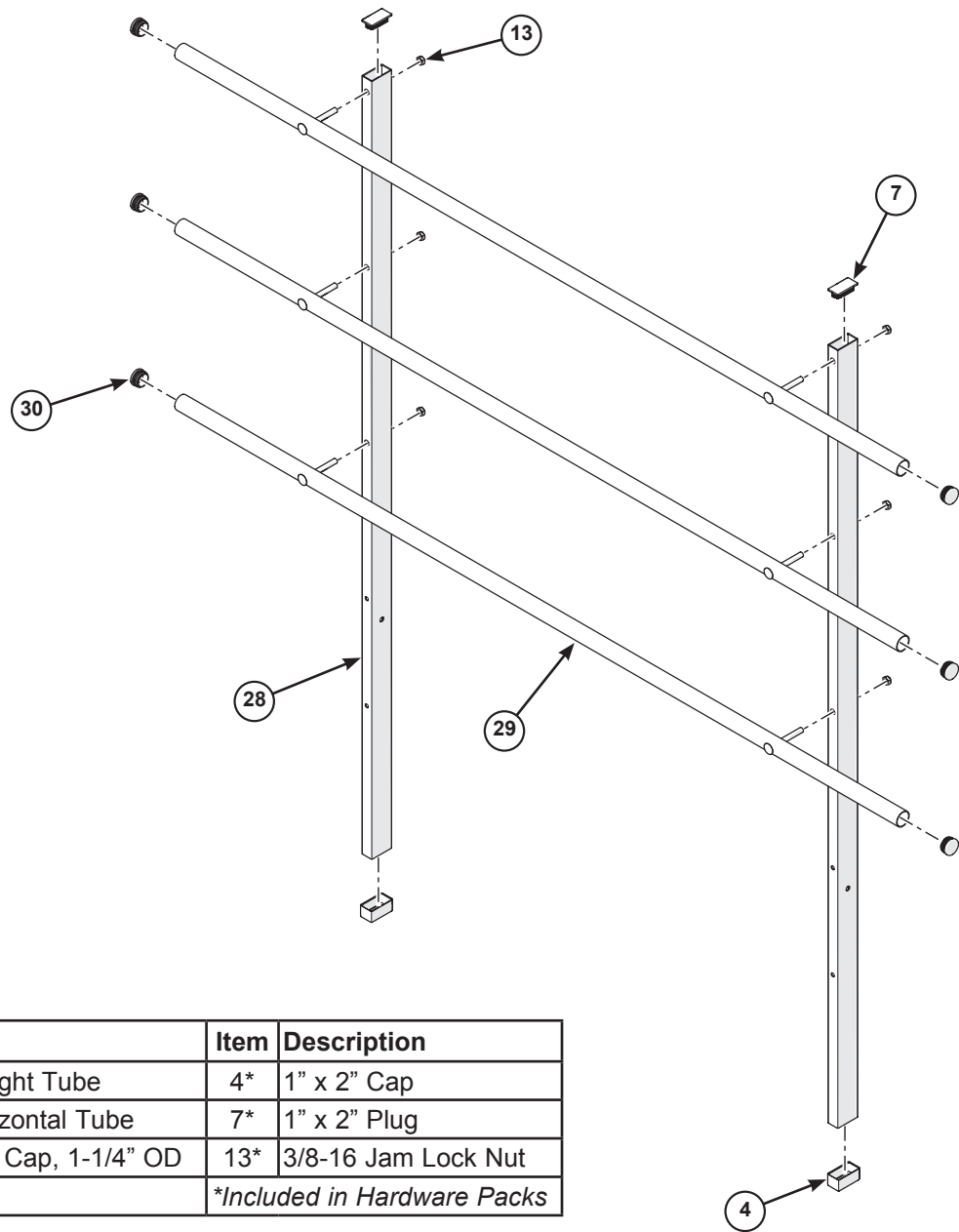


Item	Description	Item	Description
23	Frame Assembly, Left Side	1*	Swivel Caster
24	Frame Assembly, Right Side	2*	Caster Mount
25	Small Truss Pan	3*	Rear Fender Plate
26	Front Truss Weldment	5*	Front Bumper
27	Backrail Truss	6*	Rear Bumper
		8*	5/16-18 x 1" Carriage Bolt
		9*	3/8-16 x 1-1/4" Carriage Bolt
		10*	3/8-16 x 1" Carriage Bolt
		11*	5/16-18 x 2-1/2" Flange Bolt
		12*	3/8-16 x 1-3/4" Flange Bolt
		14*	3/8-16 Flange Lock Nut
		15*	5/16-18 Flange Lock Nut
			<i>*Included in Hardware Packs</i>



# Parts List (continued)

## Backrail Components



Item	Description	Item	Description
28	Backrail Upright Tube	4*	1" x 2" Cap
29	Backrail Horizontal Tube	7*	1" x 2" Plug
30	Backrail End Cap, 1-1/4" OD	13*	3/8-16 Jam Lock Nut
		*Included in Hardware Packs	

# Before Assembly

---

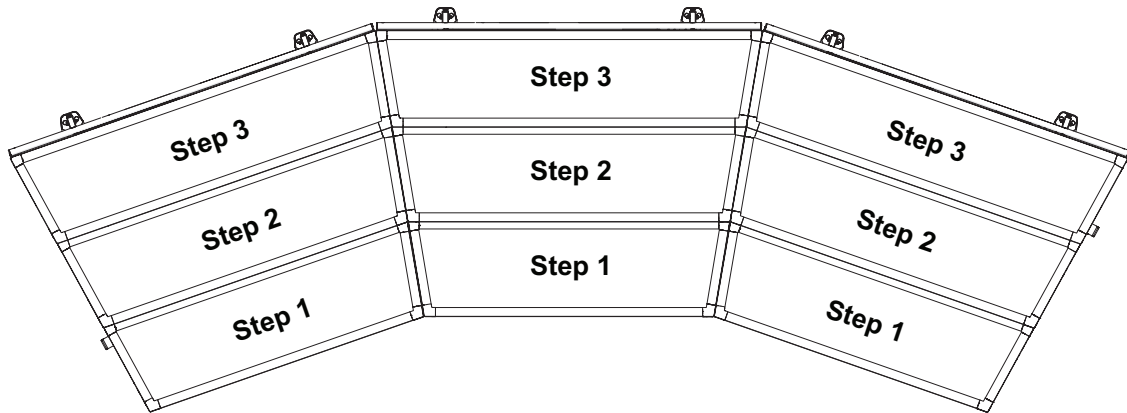
## ATTENTION!!!

The following assembly instructions show Standard Riser Assembly.  
Risers can be connected together for use in two different Configurations.

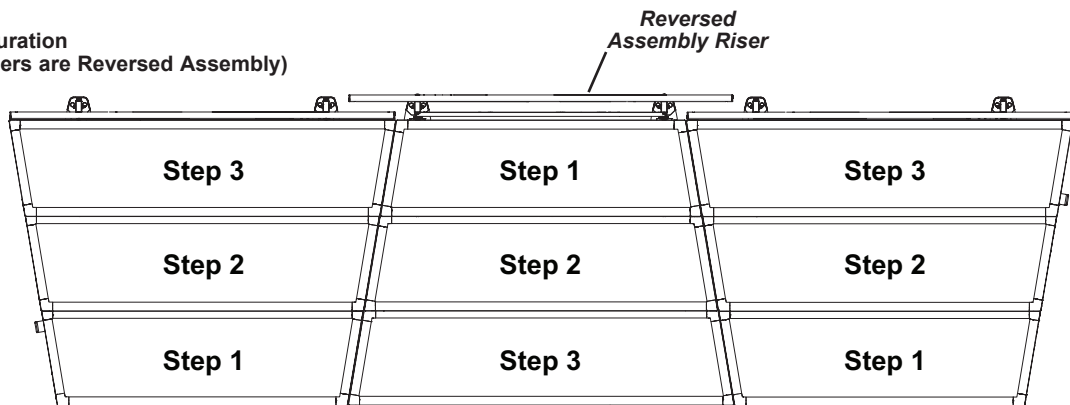
In an Arc Configuration, all Risers are assembled Standard as shown in these instructions.

In a Straight Configuration, alternating Riser sets must be assembled with the steps and back rail reversed. See "Reversed Riser Assembly" on page 28.

Arc Configuration  
(Uses all Standard Assembly Risers)



Straight Configuration  
(Alternating Risers are Reversed Assembly)

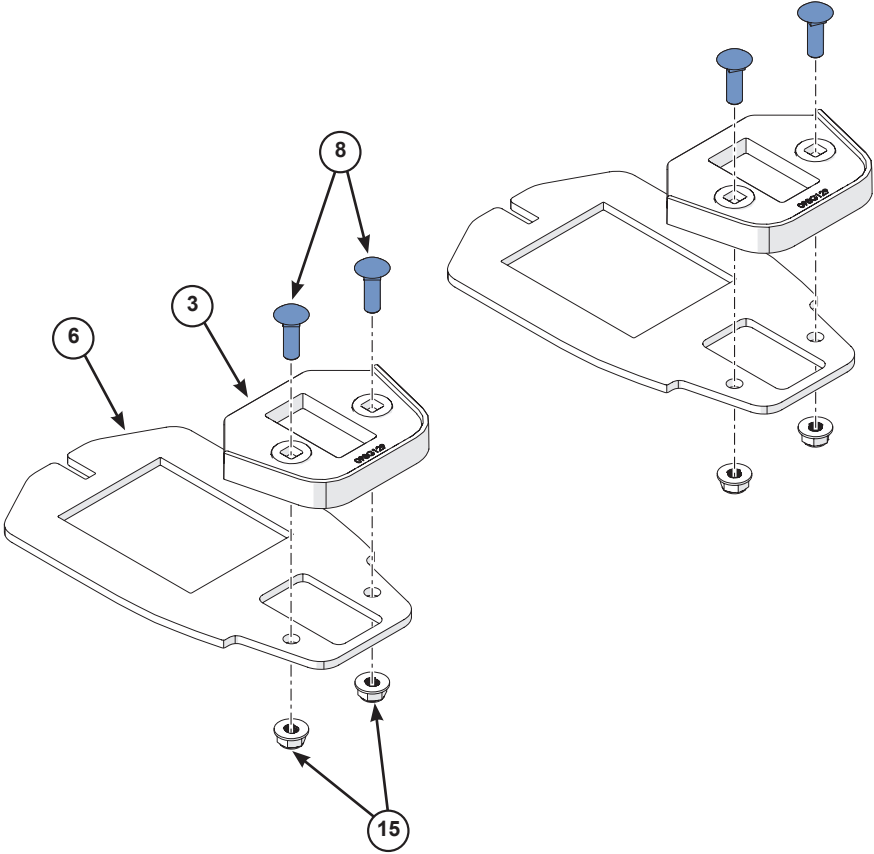


# Assembly

- 1. Assemble both Rear Fenders.
  - a. Fit one Rear Bumper (6) onto each Rear Fender Plate (3).
  - b. Secure the together using two 5/16-18 x 1" Carriage Bolts (8) and 5/16-18 Flange Lock Nuts (15).

This step uses Fasteners:

	5/16-18 x 1" Carriage Bolt (8)		5/16-18 Flange Lock Nut (15)
---	--------------------------------	---	------------------------------



## Assembly (continued)

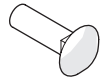
### 2. Attach the Rear Casters to the Side Frames.

For both Side Frames:

- Slide one Swivel Caster ① into a Caster Mount ②.
- Push the Caster Assembly into the bottom of the Rear Fender.
- Attach the Caster Mount to the Side Frame Assembly ②③ (Left Side) and ②④ (Right Side) using one 3/8-16 x 1-1/4" Carriage Bolt ⑨ and one 3/8-16 Flange Lock Nut ⑭.

**Note the orientation of the Side Frame Assemblies.**

This step uses Fasteners:



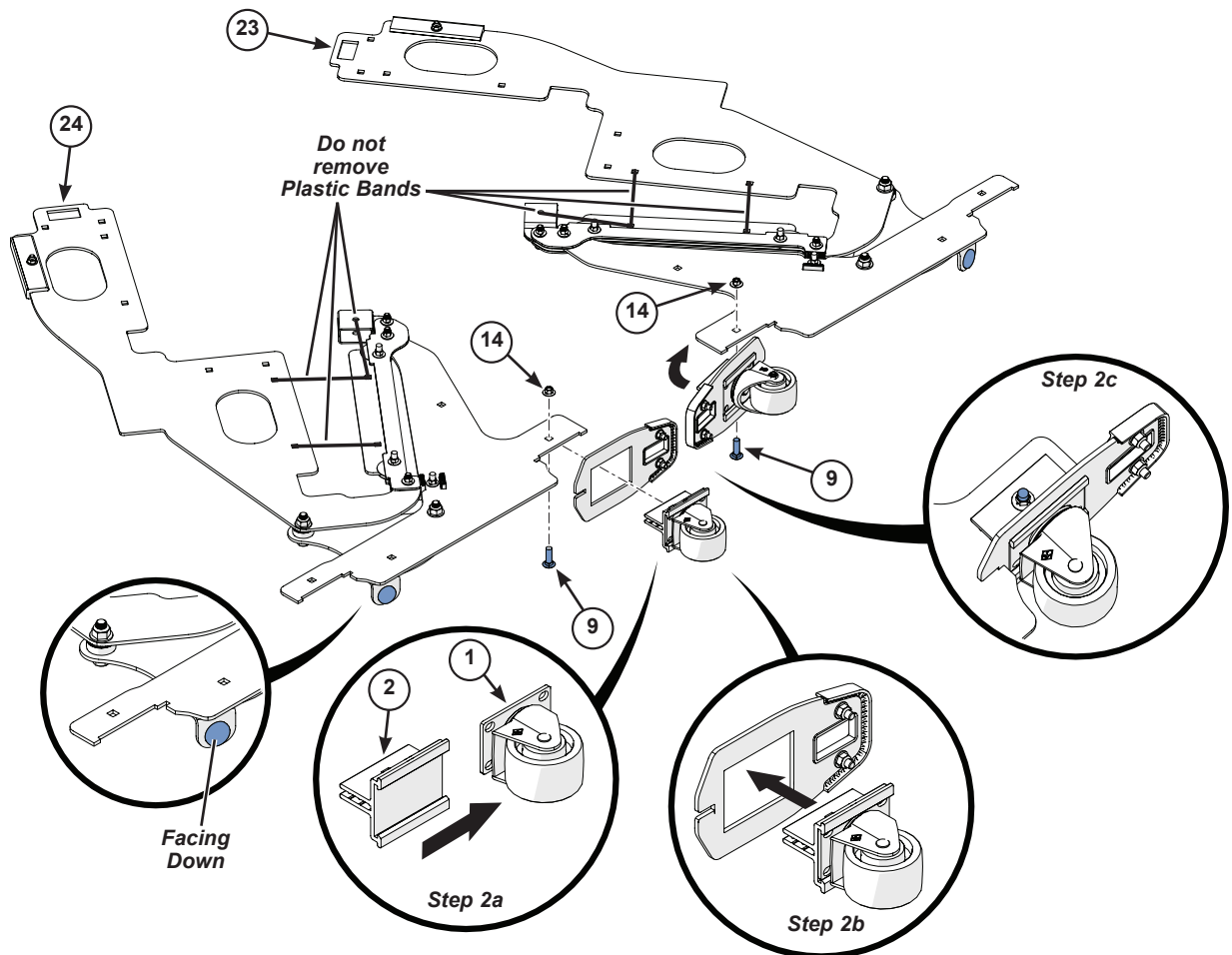
3/8-16 x 1-1/4"  
Carriage Bolt ⑨



3/8-16  
Flange Lock Nut ⑭

### **CAUTION**

**Do not cut Plastic Bands until instructed to do so. Damage or injury could occur.**

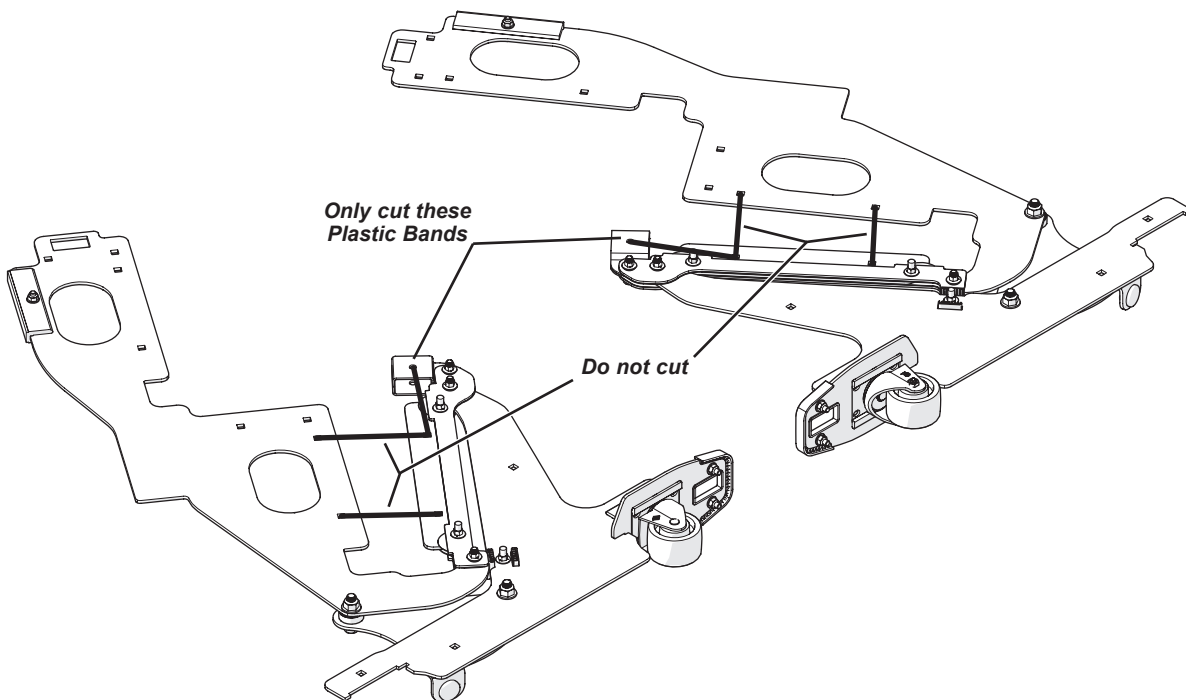


## Assembly (continued)

---

3. Cut and remove **ONLY** the Plastic Band that secures the Backrail Clamp from both Side Frame Assemblies.

**CAUTION**  
Do not cut Plastic Bands until instructed to do so. Damage or injury could occur.



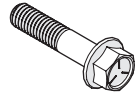
## Assembly (continued)

4. Attach the Backrail Upright Tubes ⑳ to the Side Frame Assemblies.

For both Side Frames:

- Rotate the Backrail Clamp outward as shown.
- Slide a Backrail Upright Tube ⑳ through the Backrail Clamp and the Rear Fender Plate as shown below to align the hole in the Upright Tube with the hole in the Clamp.
- Attach the Upright Tube to the Clamp using one 3/8-16 x 1-3/4" Flange Bolt ⑫ and 3/8-16 Flange Lock Nuts ⑭.

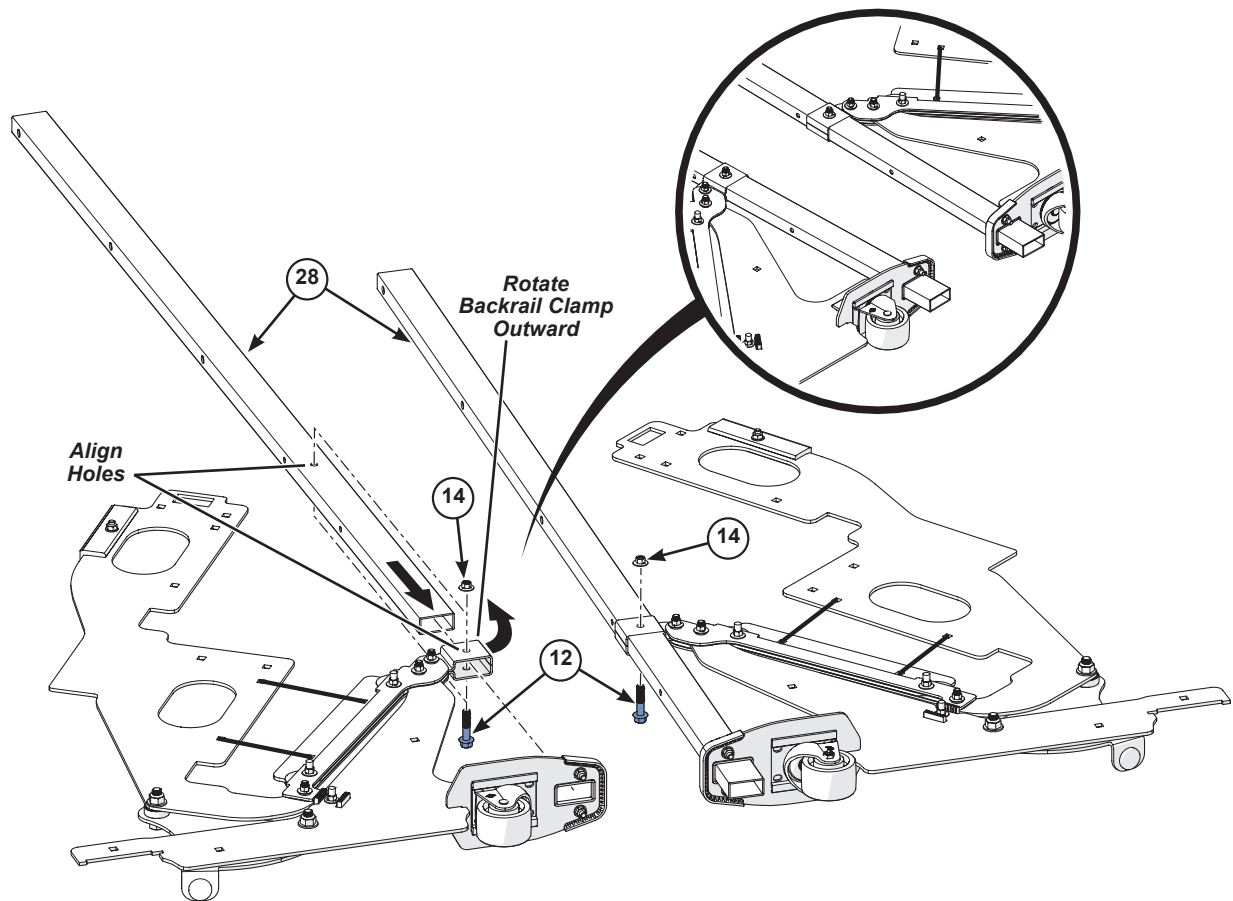
This step uses Fasteners:



3/8-16 x 1-3/4"  
Flange Bolt ⑫



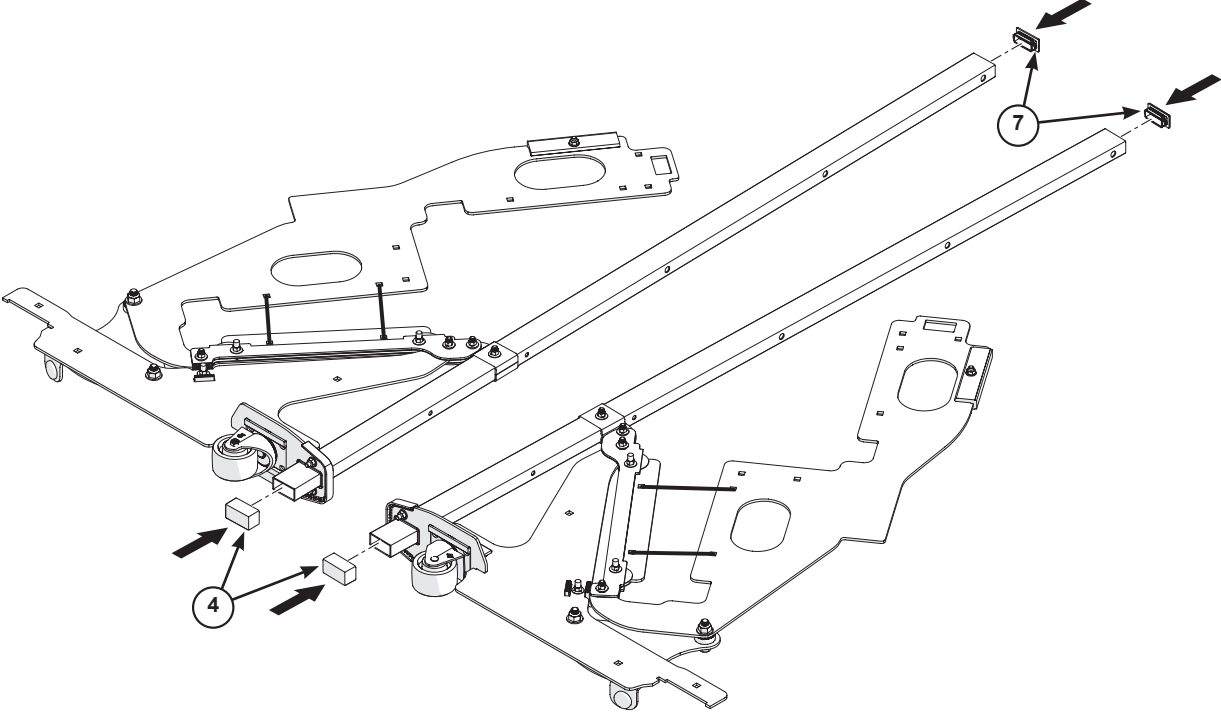
3/8-16  
Flange Lock Nut ⑭



# Assembly (continued)

---


- 5. Push one 1" x 2" Cap ④ onto the bottom of both Upright Tubes.
- 6. Push one 1" x 2" Plug ⑦ into the top of the both Upright Tubes.

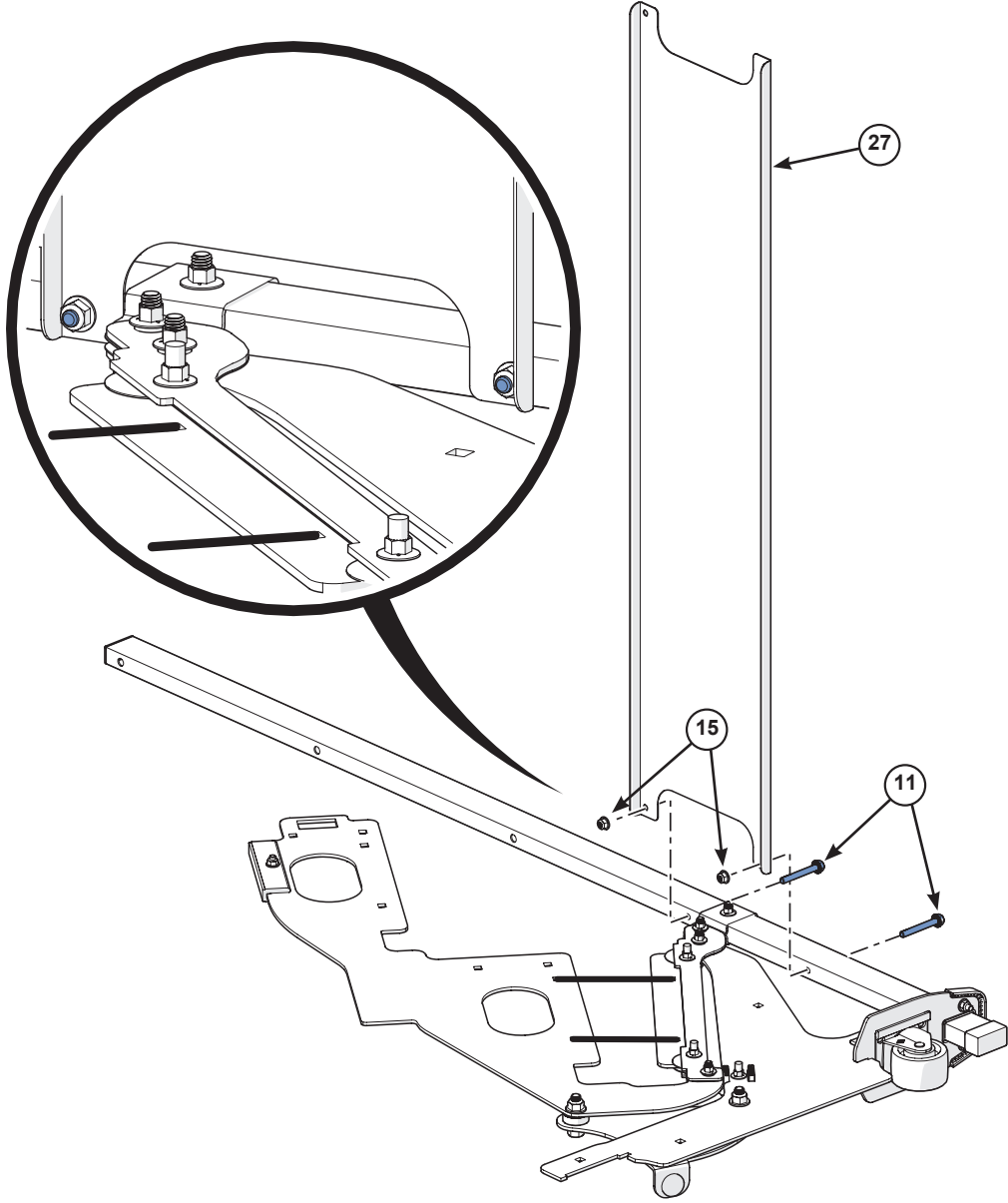


# Assembly (continued)

7. Attach the Backrail Truss ⑰ to the Left Side Frame using two 5/16-18 x 2-1/2" Flange Bolts ⑪ and 5/16-18 Flange Lock Nuts ⑮.

This step uses Fasteners:

	<b>5/16-18 x 2-1/2" Flange Bolt ⑪</b>		<b>5/16-18 Flange Lock Nut ⑮</b>
---	---------------------------------------	--	----------------------------------



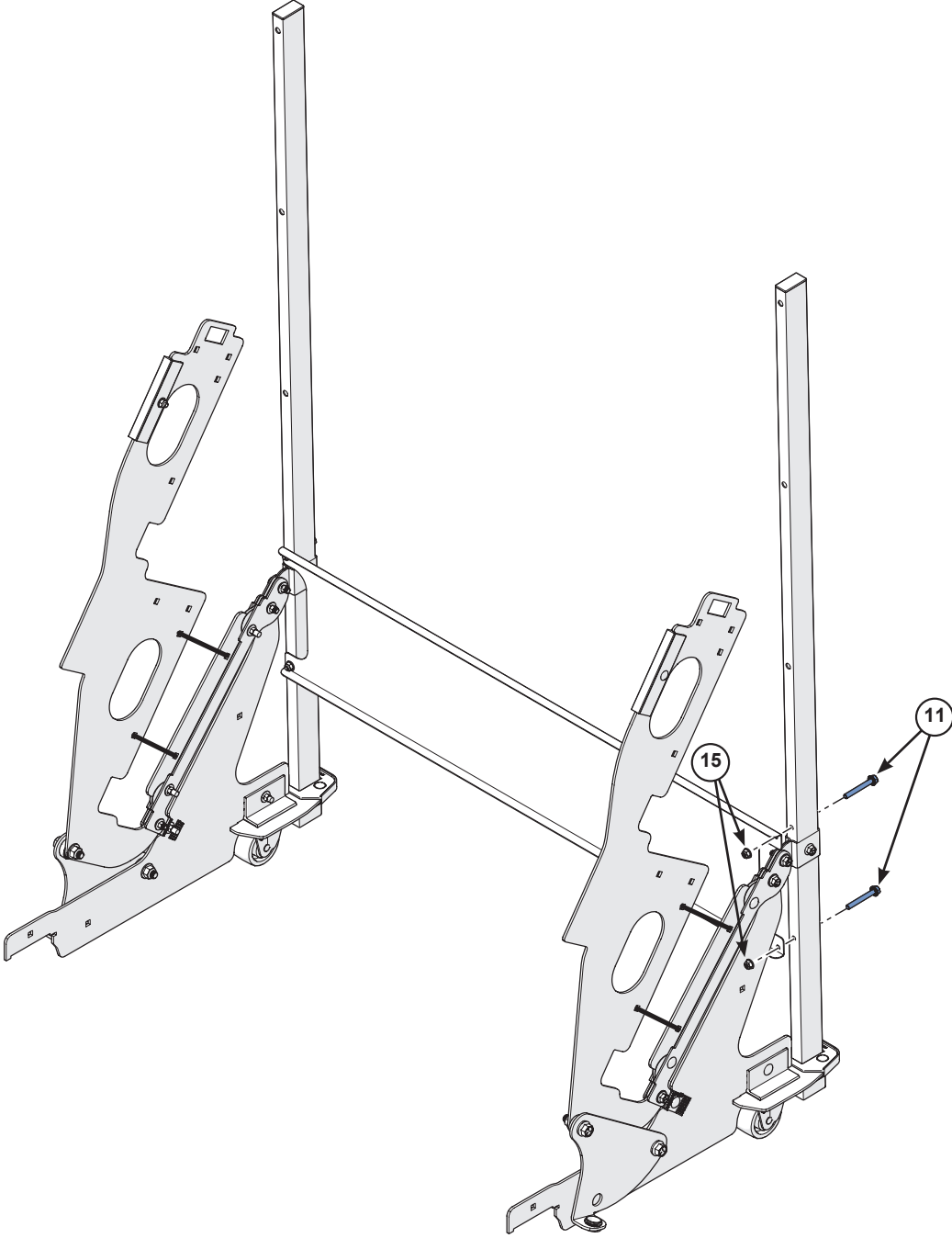


# Assembly (continued)

8. Stand the Riser up and attach the Right Side Frame to the Backrail Truss using two 5/16-18 x 2-1/2" Flange Bolts ⑪ and 5/16-18 Flange Lock Nuts ⑮.

This step uses Fasteners:

	<b>5/16-18 x 2-1/2" Flange Bolt ⑪</b>		<b>5/16-18 Flange Lock Nut ⑮</b>
---	---------------------------------------	--	----------------------------------



## Assembly (continued)



**This step shows the Backrail Horizontal Tubes being installed for the Standard Assembly Risers only.  
For Reversed Assembly Risers refer to the instructions on page 28.**

9. Attach the Backrail Horizontal Tubes to the Upright Tubes.
  - a. Remove and discard the protective rubber caps from the threaded studs of the Backrail Horizontal Tubes (29).
  - b. Insert the threaded studs of the Horizontal Tubes through the top three sets of holes in the Upright Tubes.
  - c. Secure each Horizontal Tube using two 3/8-16 Jam Lock Nuts (13).

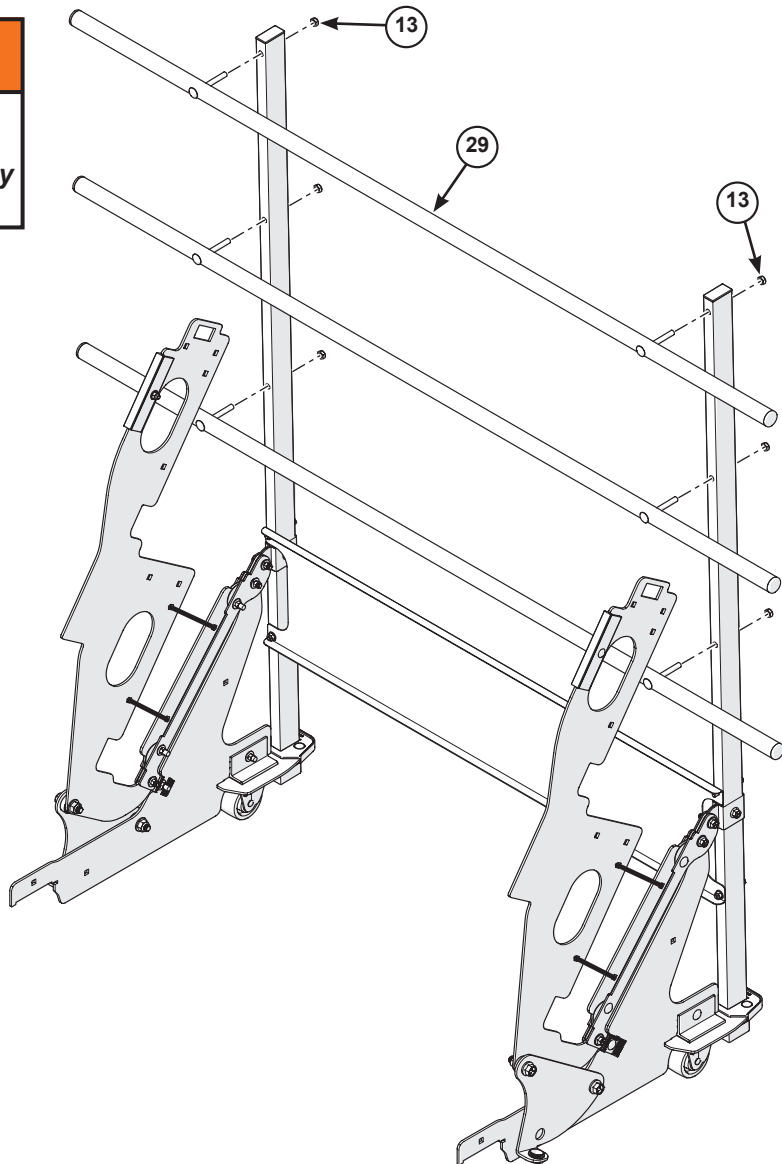
This step uses Fasteners:



3/8-16  
Jam Lock Nut (13)

### **WARNING**

**The Backrail Assembly must remain attached at all times. Removal will cause Riser instability and could result in injury.**

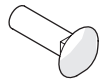


## Assembly (continued)

10. Lay the Riser back down and attach the Front Weldment to the Side Frames.
  - a. Fit the Front Truss Weldment ②⑥ onto the Side Frames.
  - b. **Loosely** attach the Front Truss Weldment ②⑦ using two 3/8-16 x 1-1/4" Carriage Bolts ⑨ and 3/8-16 Flange Lock Nuts ⑭.

These will be tightened after the Front Casters are attached.

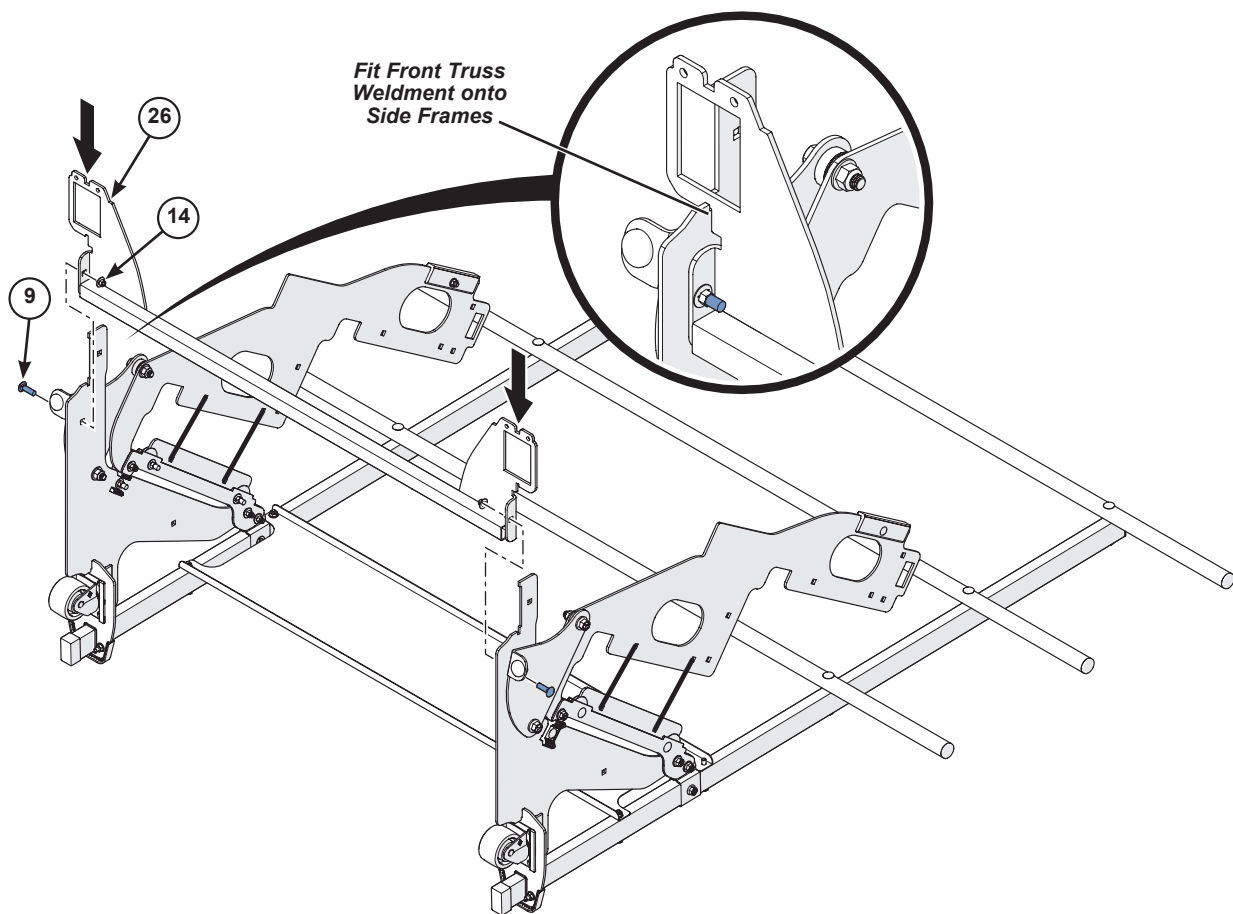
This step uses Fasteners:



3/8-16 x 1-1/4"  
Carriage Bolt ⑨



3/8-16  
Flange Lock Nut ⑭



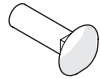
## Assembly (continued)

11. Attach the Front Casters to the Side Frames.

For both sides:

- Slide one Swivel Caster ① into a Caster Mount ②.
- Attach the Caster Mount to the Side Frames using one 3/8-16 x 1-1/4" Carriage Bolt ⑨ and a 3/8-16 Flange Lock Nut ⑭.
- Tighten the Front Truss Weldment fasteners from Step 10b.

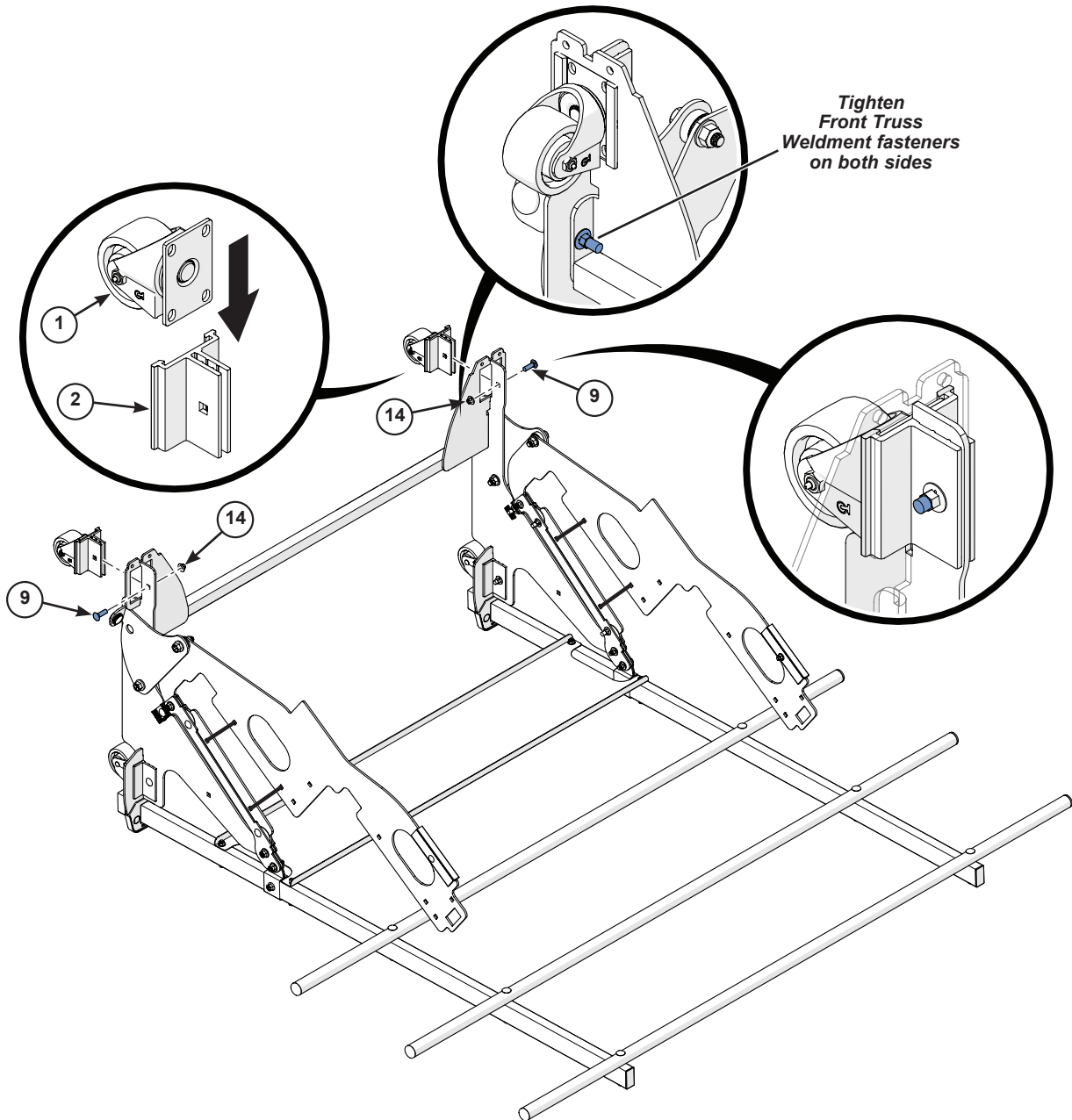
This step uses Fasteners:



3/8-16 x 1-1/4"  
Carriage Bolt ⑨



3/8-16  
Flange Lock Nut ⑭



## Assembly (continued)

12. Attach Front Bumpers ⑤ to both sides of the Front Truss Weldment using two 5/16-18 x 1" Carriage Bolts ⑧ and 5/16-18 Flange Lock Nuts ⑮ in each.

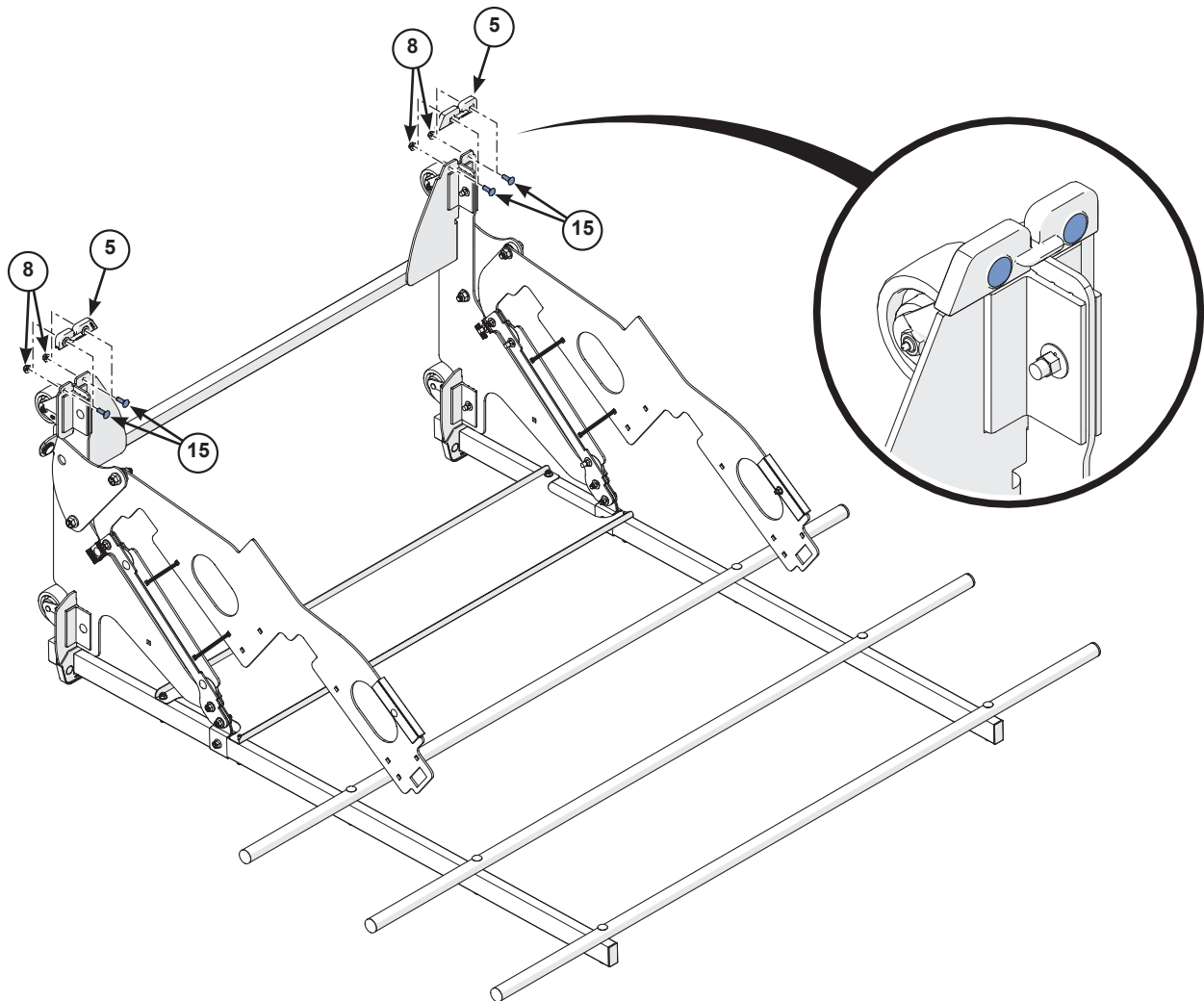
This step uses Fasteners:



5/16-18 x 1"  
Carriage Bolt ⑧



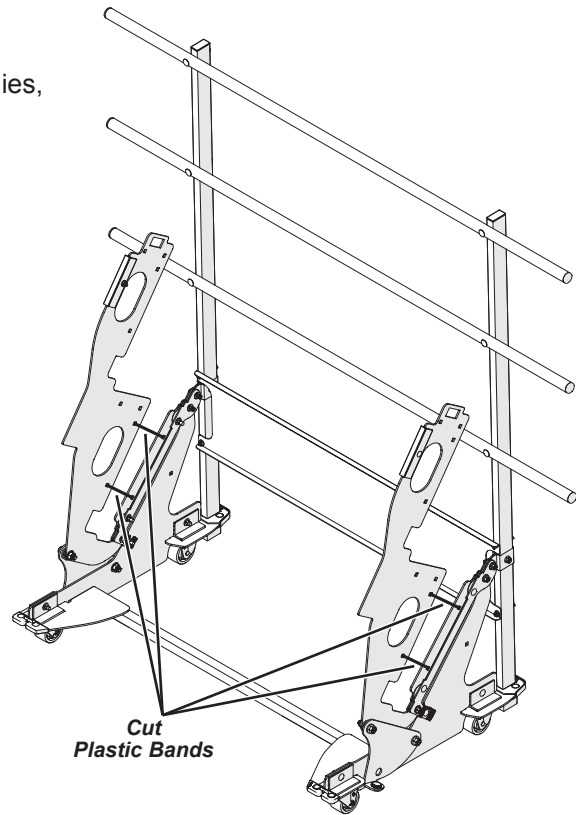
5/16-18  
Flange Lock Nut ⑮




## Assembly (continued)

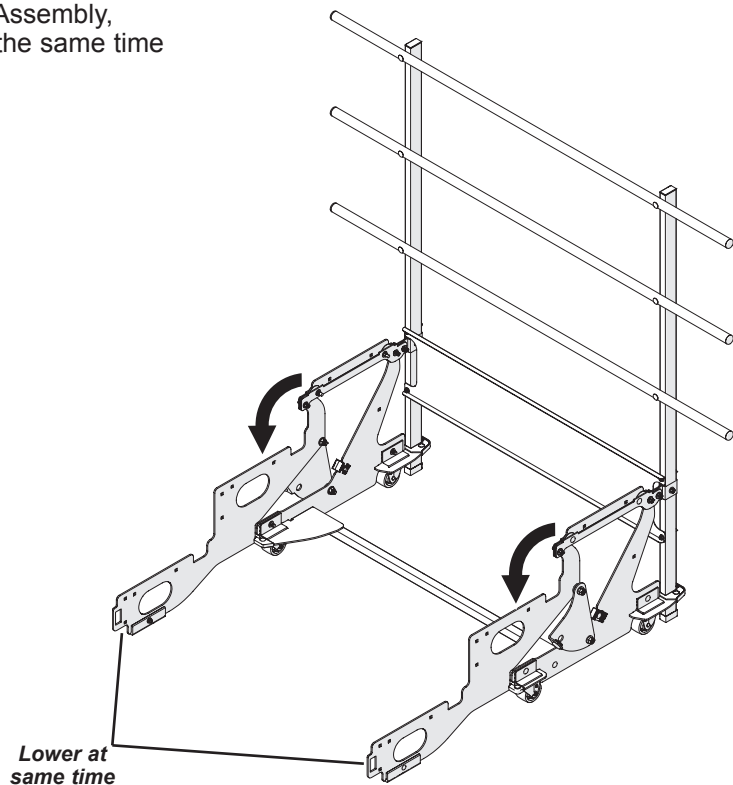
---

13. Tip the Riser onto the Casters.
14. While **firmly** holding on to the Side Frame Assemblies, remove the remaining Plastic Bands that keep them closed.



15. With one person at each Side Frame Assembly, carefully fold them both down both at the same time until they touch the floor.

 <b>CAUTION</b>
<b>Lower the Side Frame Assemblies to the floor, do not drop them. Damage can occur.</b>



## Assembly (continued)

**STOP** If an optional Siderail will be attached to the Riser, stop here and refer to the instructions included with the Siderail Kit.

16. With the U-Channel at the bottom, attach the two Small Truss Pans (25) to the Side Frames using two 3/8-16 x 1" Carriage Bolts (10) and 3/8-16 Flange Lock Nuts (14) on each side.

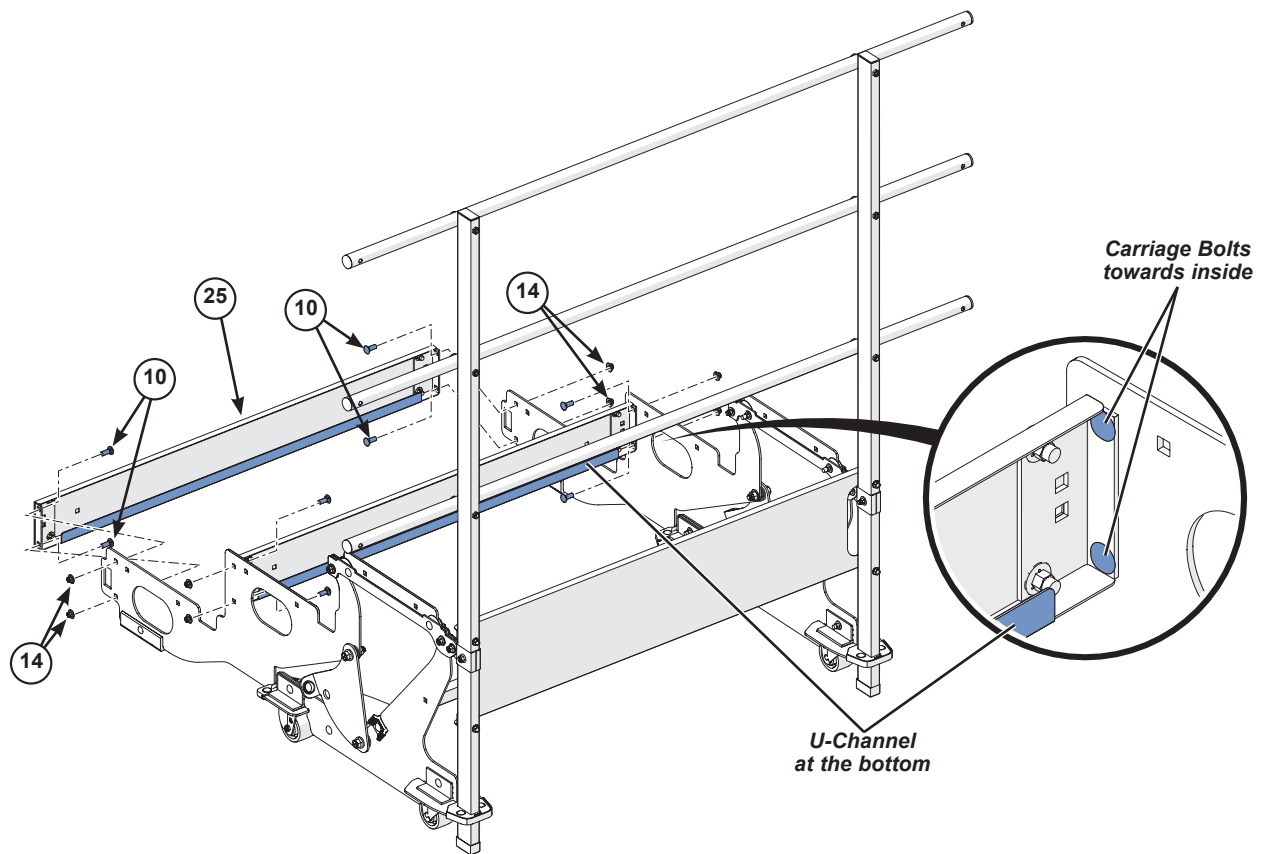
This step uses Fasteners:



3/8-16 x 1"  
Carriage Bolt (10)



3/8-16  
Flange Lock Nut (14)



## Assembly (continued)



**This step shows the Steps being installed for the Standard Assembly Risers only.**

**For Reversed Assembly Risers refer to the instructions on page 28.**

17. Attach the Steps to the Side Frames.

- Start with the longest Step at the top and place them onto the Side Frames in descending order with the widest end at the rear as shown.
- Loosely attach all of the Steps to the Side Frame** using two 3/8-16 x 1" Carriage Bolts (10) and 3/8-16 Flange Lock Nuts (14) on each side.
- Fully tighten the Nuts and Bolts on the top Step only.**

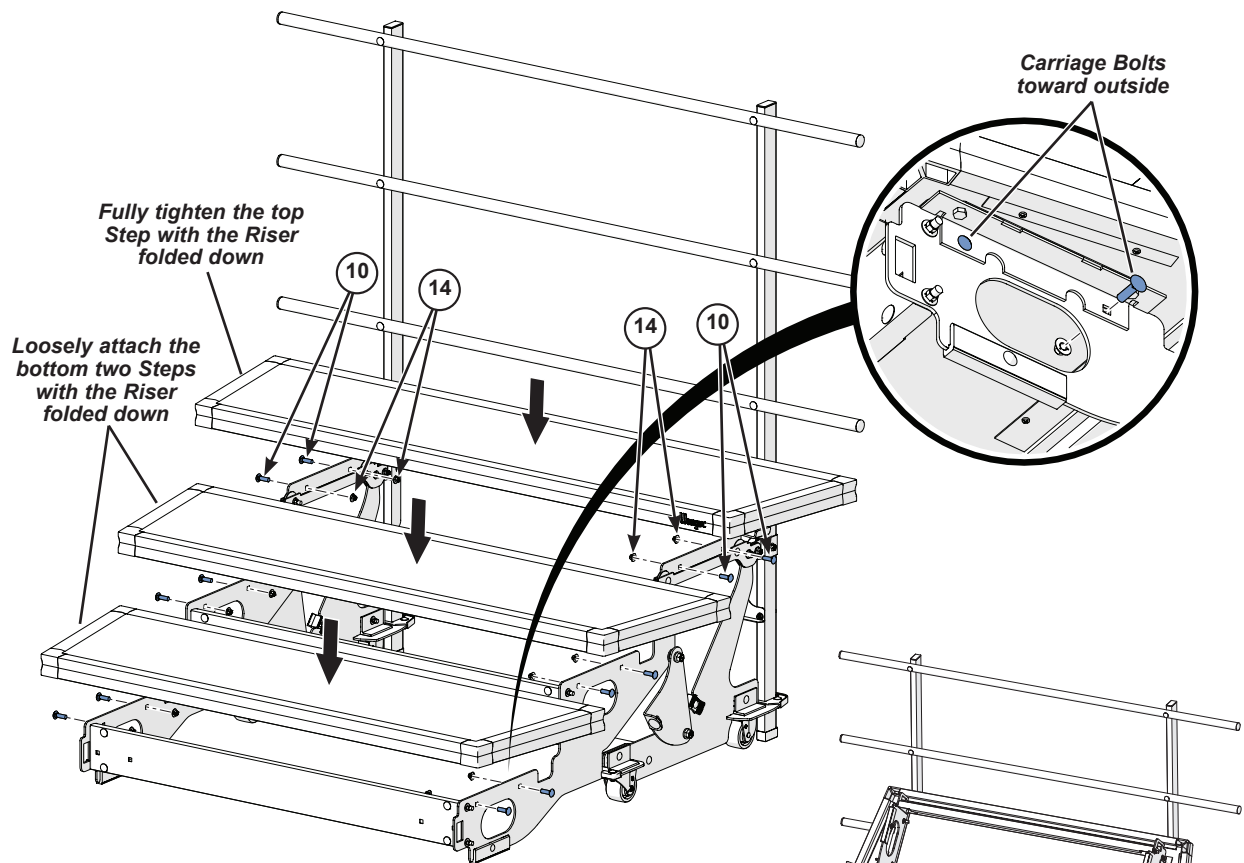
This step uses Fasteners:



3/8-16 x 1"  
Carriage Bolt (10)



3/8-16  
Flange Lock Nut (14)

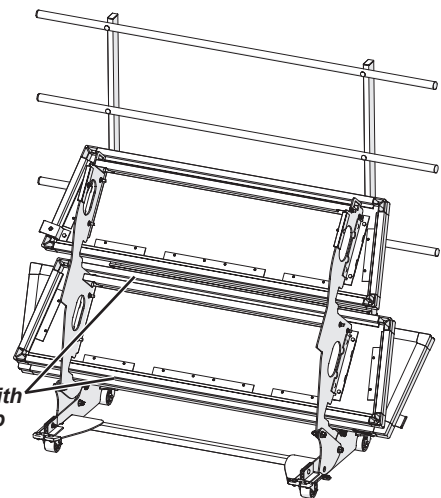


- Fold the Riser into the Storage Position (see "Moving and Storage" on page 26) and fully tighten the Fasteners on the bottom two Steps.

### CAUTION

**Do not fold the Side Frames up until all of the Steps have been attached with Nuts and Bolts.**

**Fully tighten the bottom two Steps with the Riser folded up**



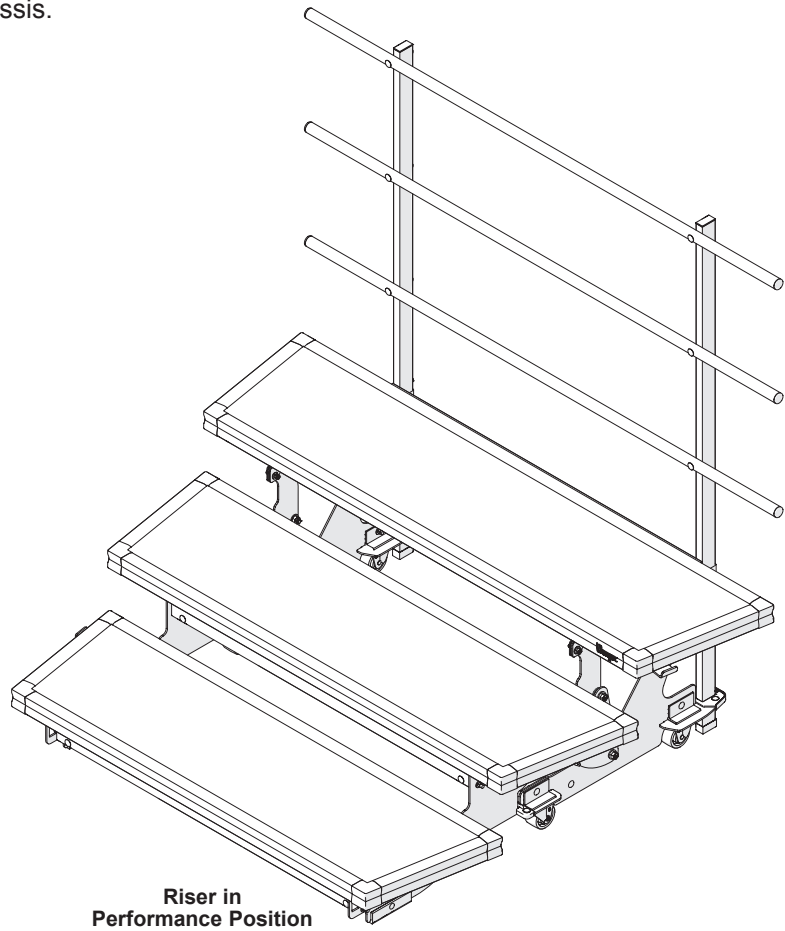


## **Safety Check**

---

Before each use, with the Riser in the Performance Position check the components for tightness and condition:

- a. All Nuts and Bolts on the Chassis.
- b. Backrail Upright Tubes.
- c. Backrail Horizontal Tubes.
- d. Steps.



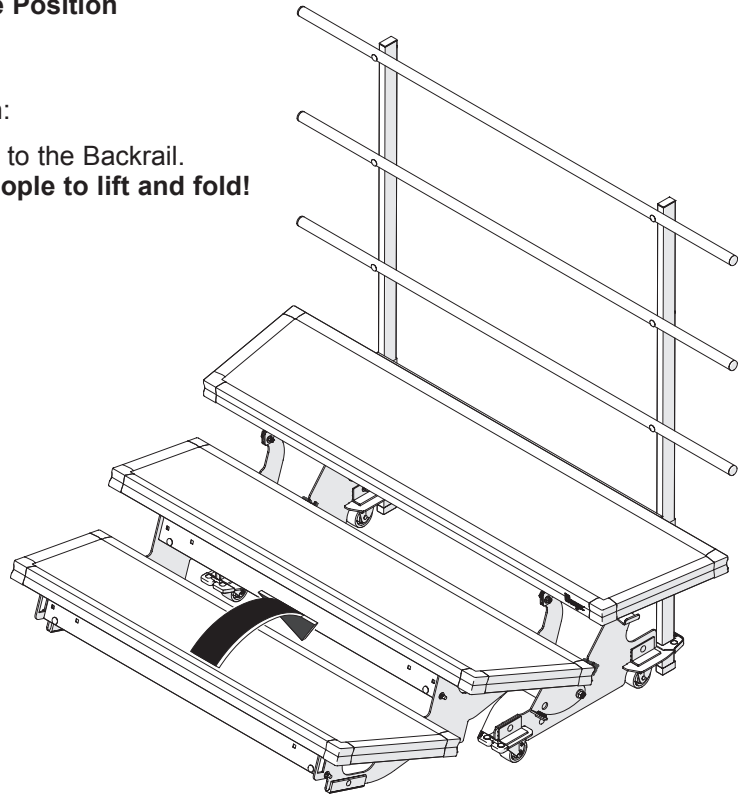
## ***Moving and Storage***

---

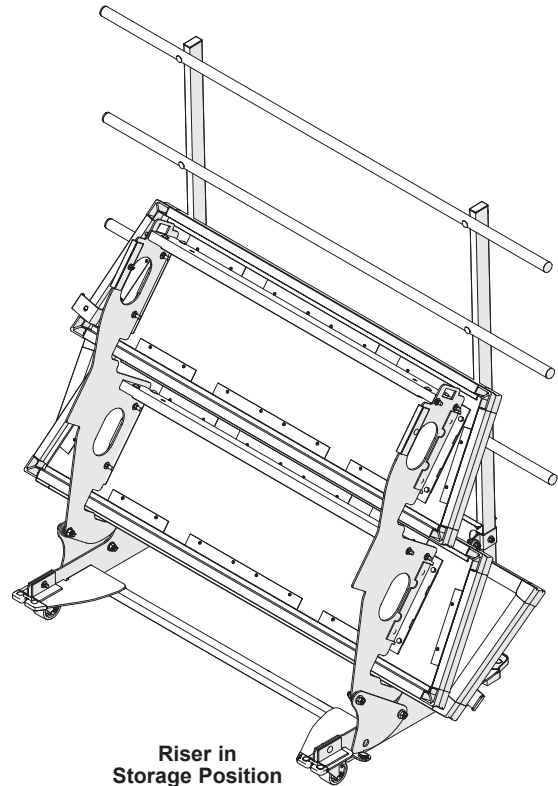
The Riser must be put into the Storage Position to be moved and stored.

To place the Riser in the Storage Position:

1. Lift up on the First Step and fold it up to the Backrail.  
**Wenger recommends using two people to lift and fold!**



2. The Riser can now be moved and stored.
3. To place the Riser in the Performance Position, lower the First Step to the ground.



## Connecting Riser Units

---

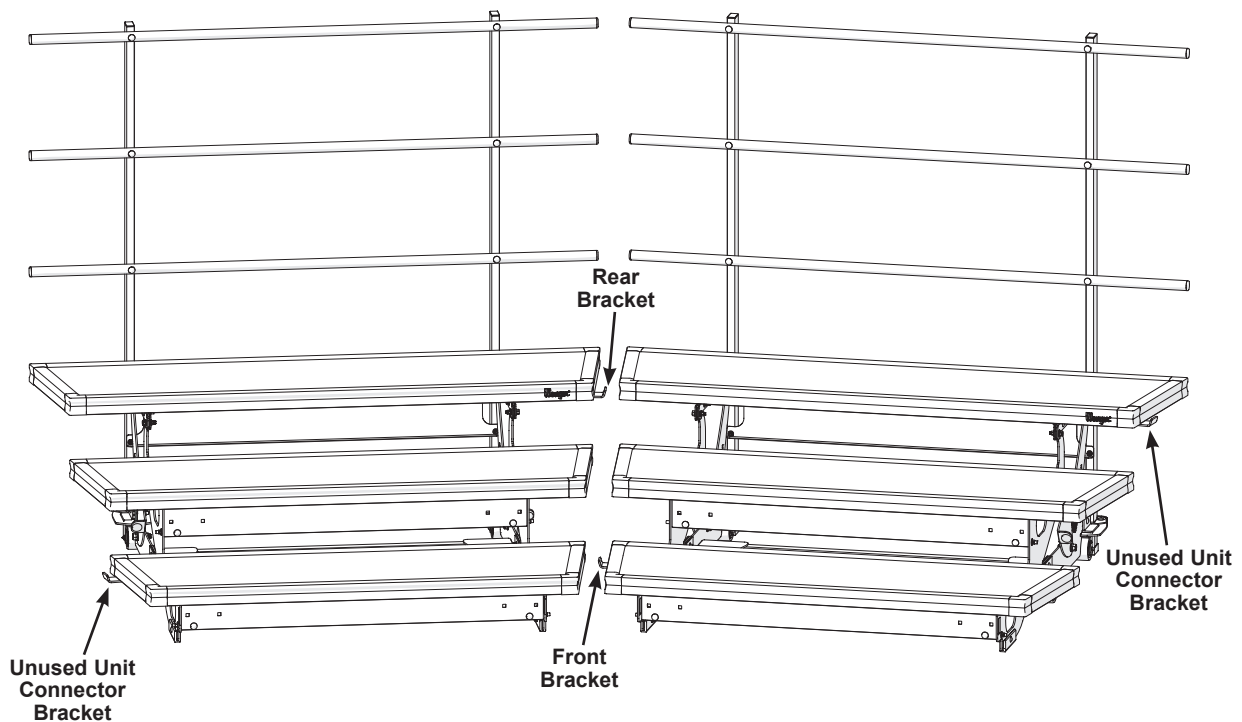
Risers can be connected to additional units using the Unit Connector Brackets installed on the Steps.

To connect Risers together:

1. Roll an additional Riser to be aligned as close as possible with the Riser already placed in the Performance Position.
2. Unfold the Riser into the Performance Position, setting the Rear Step onto the Rear Bracket of the already placed Riser.
3. Lift the Front Step of the already placed Riser over the Front Bracket of the additional Riser.
4. If necessary, shift the positioning of the connected Risers to fit tightly together.

**⚠ WARNING**  
*Adjoining Risers can separate during use unless they are connected using the attached Unit Connector Brackets.*

**⚠ CAUTION**  
*Unused Unit Connector Brackets can cause injury.*



## **Reversed Riser Assembly**

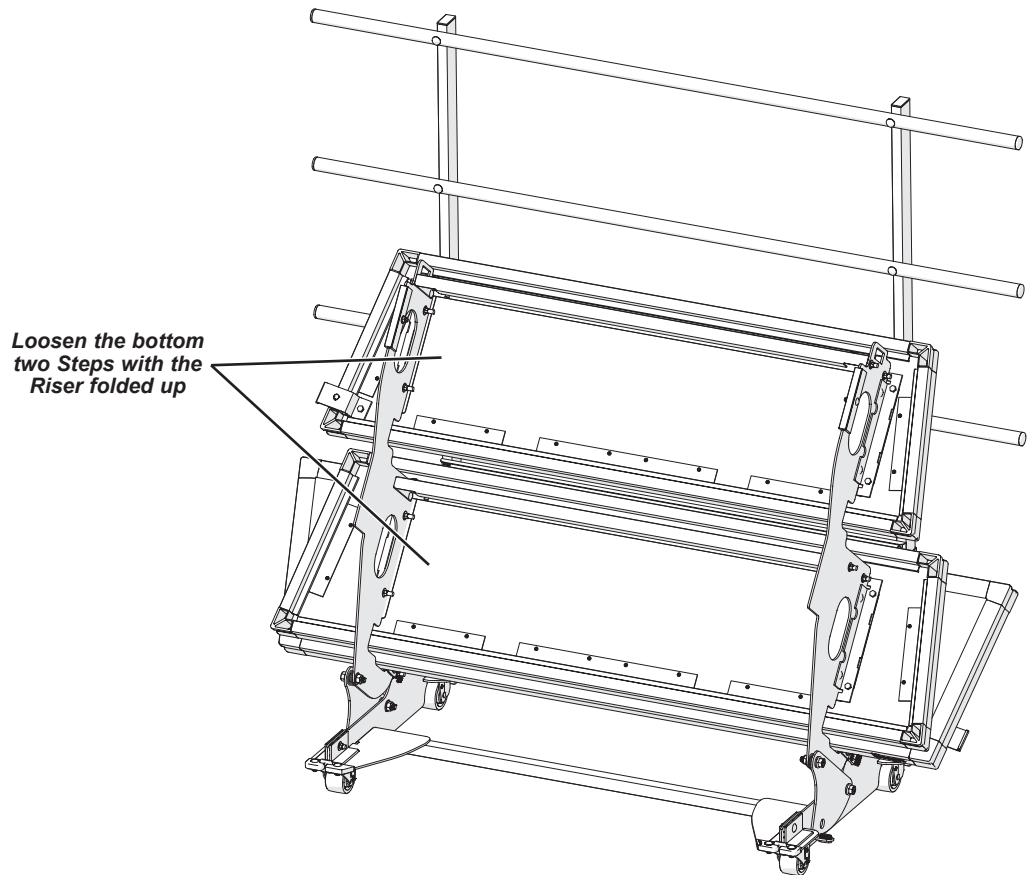


*This section shows the Steps and Backrail Horizontal Tubes being installed for a Reversed Assembly Riser.*

The previous assembly instructions were for Standard Assembly Risers.

To arrange Risers in a Straight Configuration, alternating Risers in the configuration must have the positioning of the Steps and the Backrail Horizontal Tubes reversed.

1. Fold the Riser into the Storage Position and loosen but do not remove the Nuts and Bolts from the underside of the bottom two Steps.



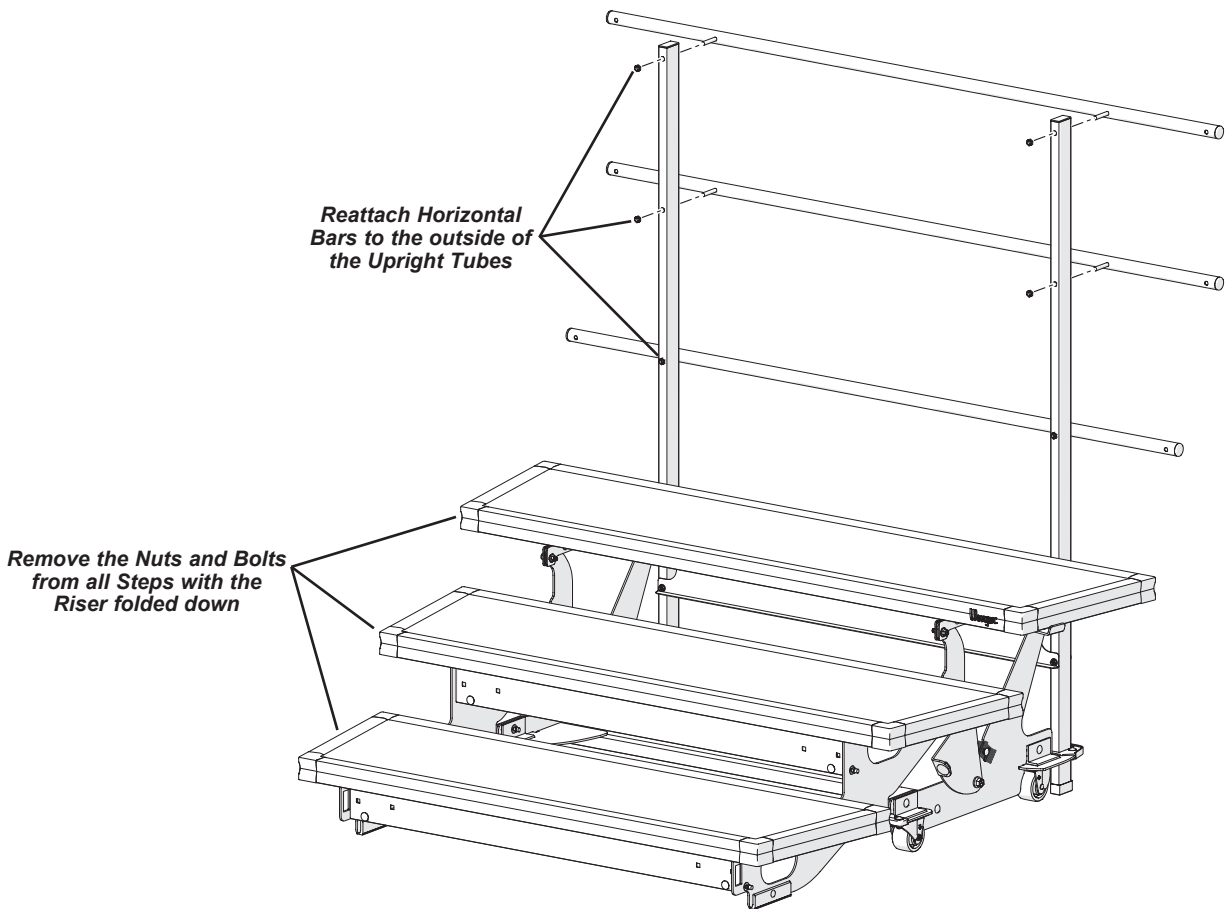
## Reversed Riser Assembly (continued)

---

2. Fold the Riser into the Performance Position and remove the Nuts and Bolts from the underside of all Steps.



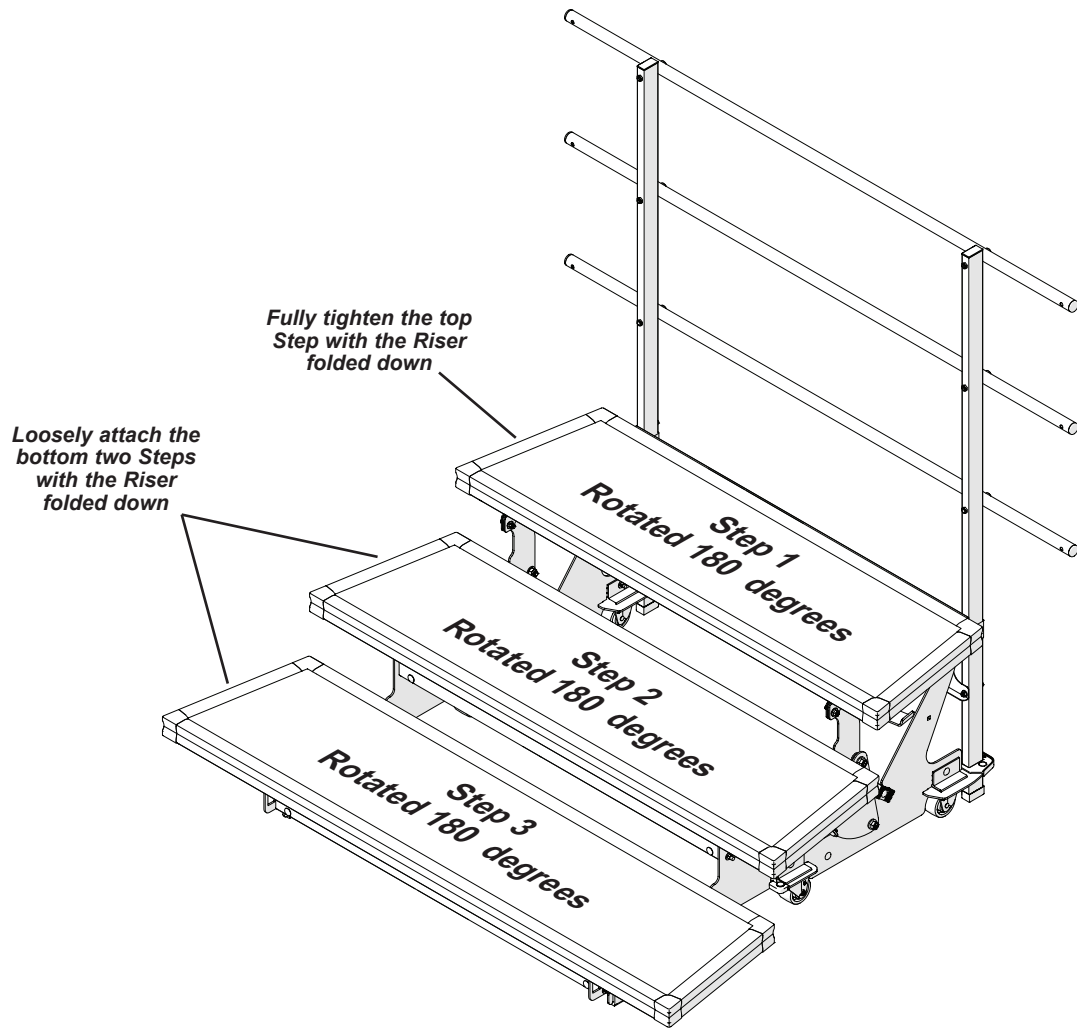
3. Reverse the Backrail Horizontal Tubes.
  - a. Fold the Riser into the Performance Position and remove the Backrail Horizontal Tubes by removing the Lock Nuts on the rear side of the Upright Tubes.
  - b. Reattach the Horizontal Tubes to the rear side of the Upright Tubes and secure them with the Lock Nuts from the front side.



## ***Reversed Riser Assembly (continued)***

---

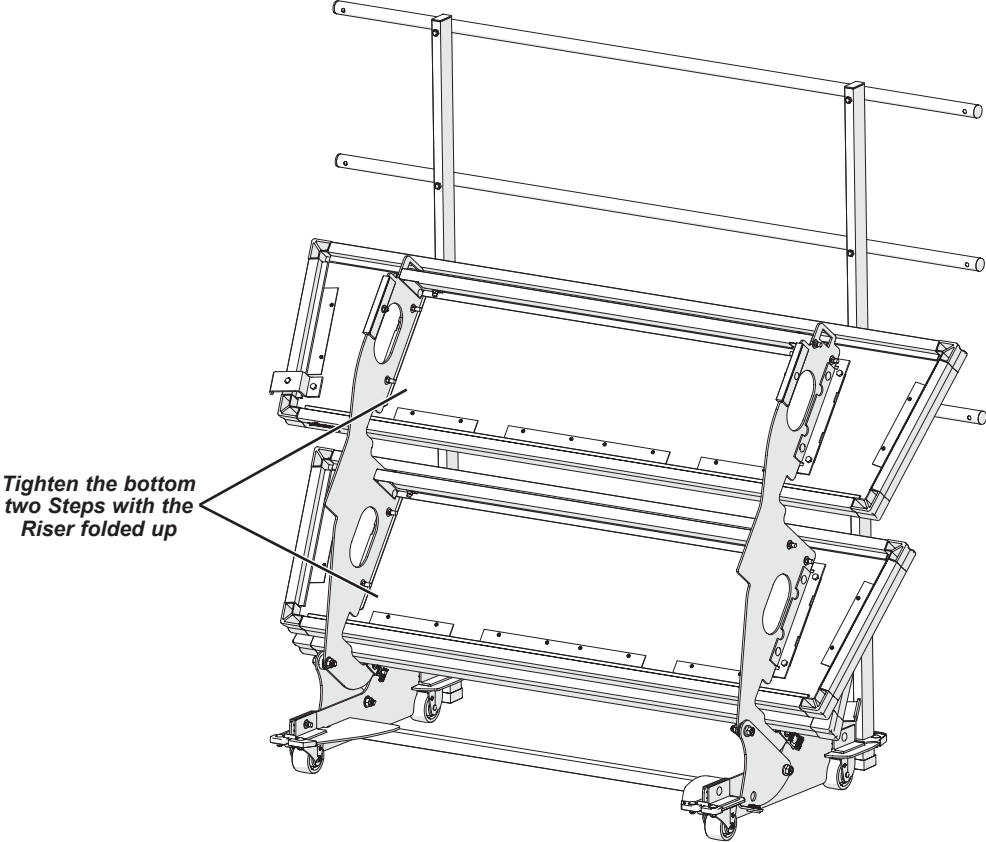
4. Remove each Step and rotate them 180 degrees.  
Use the same Nuts and Bolts to loosely reattach the rotated Steps in reverse order with the **longest Step at the front and the shortest Step at the rear.**
5. Only fully tighten the Nuts and Bolts on the top Step.



# Reversed Riser Assembly (continued)

---

- 6. Fold the Riser into the Storage Position and fully tighten the Fasteners on the bottom two Steps.



This page is intentionally blank.